

# CLASS 150

# BRONZE GLOBE VALVE

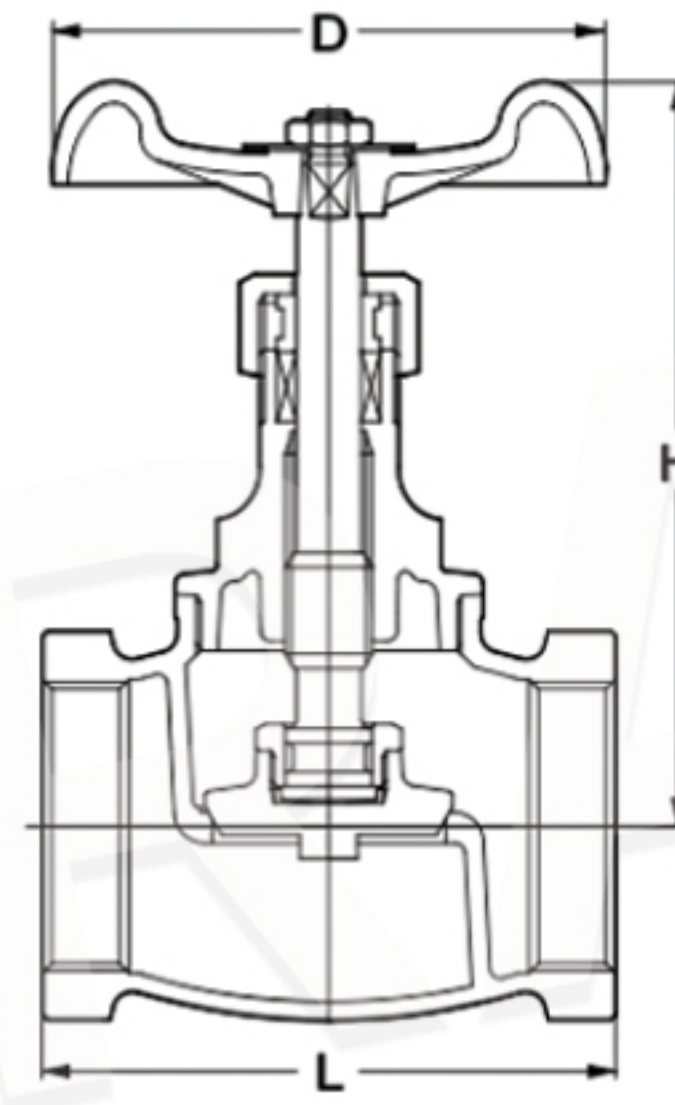
Screwed Bonnet, Rising Stem  
Threaded ends to BS21 (JIS B0203) or NPT

W.O.G. non-shock 2.07 MPa (300 psi), Saturated steam pressure 1.03 MPa (150 psi)



**Fig. C**

• Threaded end to BS21 (JIS B0203)



### Materials

Parts	Material
Body	Bronze
Bonnet	Brass/Bronze*
Stem	Dezincification Resistant Brass
Disc	Bronze
Gland Packing	Aramid Fibers Graphite

\*Size 3 only

⚠ Don't use for Flammable gas or Toxic gas.

### Dimensions

Nominal Size	mm										
	inch	1/4	3/8	1/2	3/4	1	1 1/4	1 1/2	2	2 1/2	3
	mm	8	10	15	20	25	32	40	50	65	80
L		44	44	53	65	77	85	100	119	139	158
H valve open		66	68	79	93	104	127	145	174	199	215
D		50	50	60	70	80	90	100	115	135	155